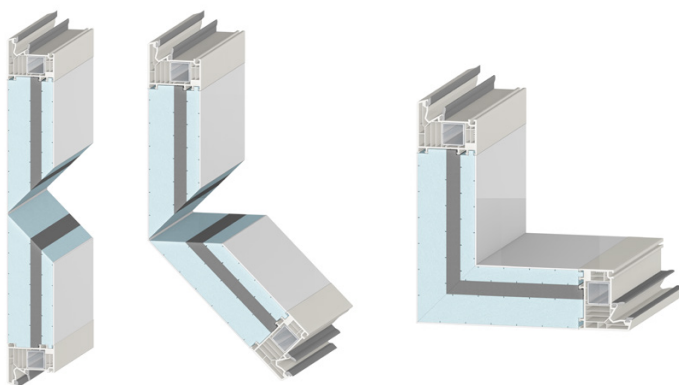


Air slot profile

These elements are equipped with a special milling for the installation of window ventilators and are suitable for supplying fresh air.

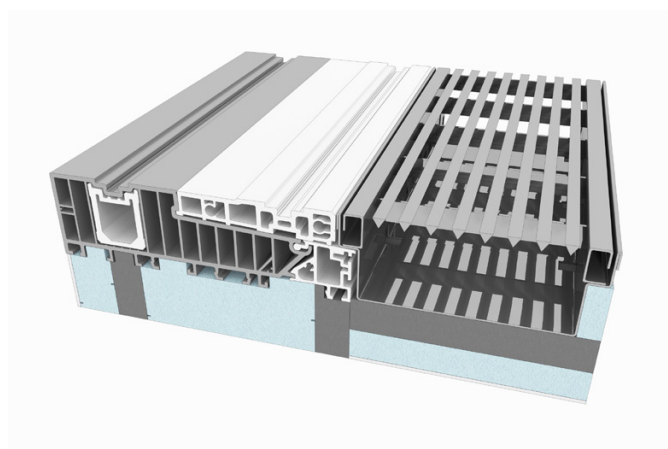
Cut to length, height and tread depth including a contour milling on one side, they can be used for all profile systems.



FrameTec corner angle

The optimal solution to prevent thermal bridges in corners.

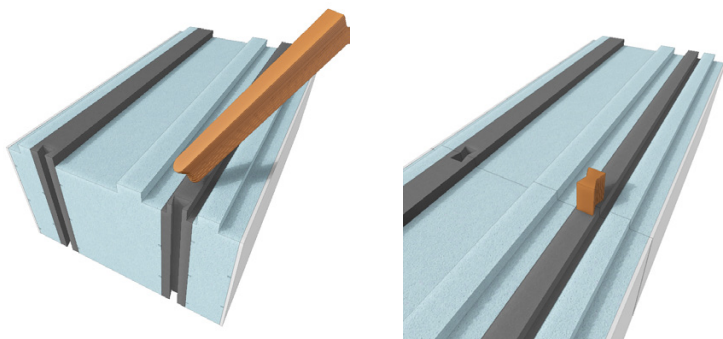
Fast, easy and clean.



Terrace gutter

The easiest solution for a barrier-free doorstep including a drainage channel.

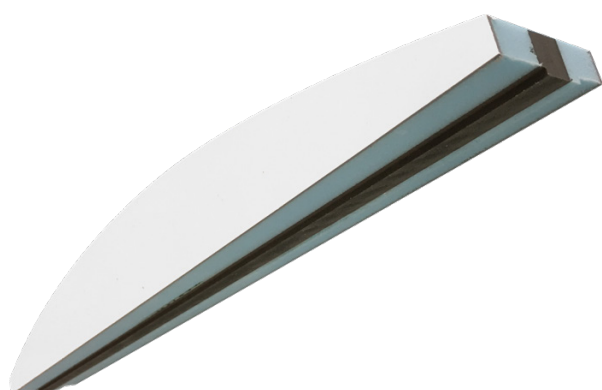
Creates smooth transitions without any problems.



Hoffmann-Schwalbe

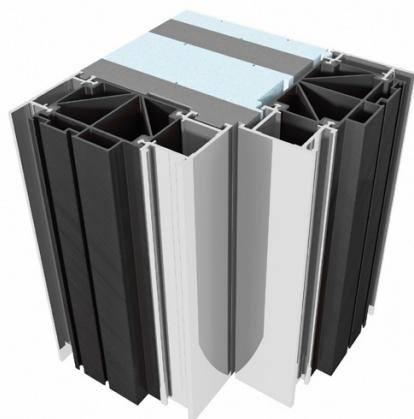
Clean and solid connection between subbase elements without protracted drying periods of adhesives.

Connects leftover pieces in order to reduce cutting waste.



Round Arch

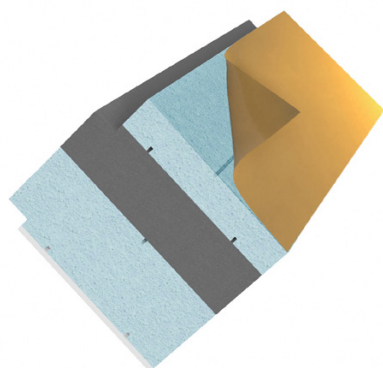
Cut to length, height, radius and tread depth including a contour milling on one side, they can be used for all profile systems.



Corner post

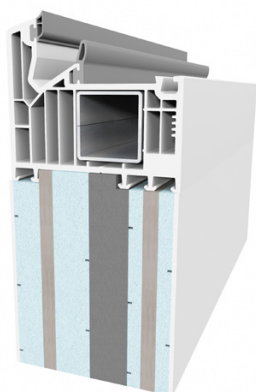
The optimal solution for an insulated corner post of a profile system.

Cut to length, height and tread depth with a contour milling on both sides, they can be used for all profile systems.



FrameTec-SKS Self-adhesive Foam

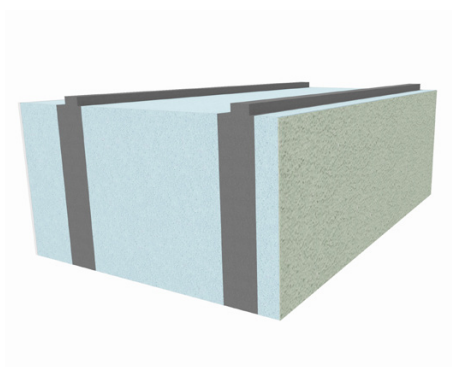
The ideal solution for easy bonding of metals and high-energy plastics (i.e. ABS, laminate, polished wood, stone, glas)



FrameTec-Phon Sound Insulation

Special soundproofing elements with DIN EN ISO 10140-2:2010 test certificates.

dB-value up to 45



FrameTec/ProfileTec-BT

Profiles with BT special coating can be plastered, wallpapered or painted directly.