

MOUNTING SYSTEMS

BASIC+ / CLIP / TAPE / HOOK

Product Information

MOUNTING SYSTEMS: BASIC+

100%
PVC-free

Description:

The Stadur suspension system MOUNTING SYSTEMS: BASIC+ is an excellent **fastening solution** which allows Stadur lightweight foam boards VISCOM, from a thickness of 10 mm, to hang freely directly **from the ceiling on a steel cable base**. Due to the **rope with towing eye**, our plate can also be suspended by means of wrapping around angular and round components, such as beams and pipes, or by attaching it to existing hooks. For all scenarios, the **specially threaded screw** developed for this purpose can be **easily screwed** into the Stadur core material **by hand** and the panels can be oscillated without risk.

Properties:

The MOUNTING SYSTEMS: BASIC+ set consists of ceiling and rope fastening elements with a 1.5 m galvanized steel rope and the Stadur screw with special thread.

Set-Contents:

- 1 Ceiling mounting system BASIC+ M10x1 - N, with thread M6, length: 14 mm, surface: nickel glossy
- 1 cable fastener BASIC+ M10x1 - 2SF, with 2 wrench flats, length: 17 mm, surface: nickel glossy
- 1 rope: Ø 1.2 mm, 7x7 galvanized steel, nominal strength: 2.400 N/mm², length: 1,500 mm, with 1 towing eye Ø: 5.1 mm
- 1 Stadur screw with lateral rope rejection with knurl and special thread for Stadur core material, surface: nickel glossy

Advantages at a Glance:

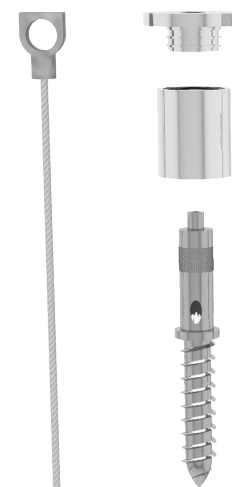
- Direct and easy attachment to various ceiling structures (dowels + screw not included in the set content).
- Only one drill hole per suspension point.
- Wrapping of angular and round components, e.g. beams and pipes.
- Attaching to existing hooks.
- Suitable for panels from 10 mm thickness.
- Up to 6 kg/m² panel weight per suspension point can be used without risk.
- Tight screwing of the Stadur screw is possible by hand due to the special thread.
- Increased safety standards due to TÜV-certified wire rope holders, according to the requirements of the German Product Safety Act.
- Very easy and quick assembly or disassembly.
- High-quality material and attractive design - Made in Germany.

Areas of Application:

PoS/PoP, signs, display, trade fair construction, shopfitting, store design, event marketing, promotions

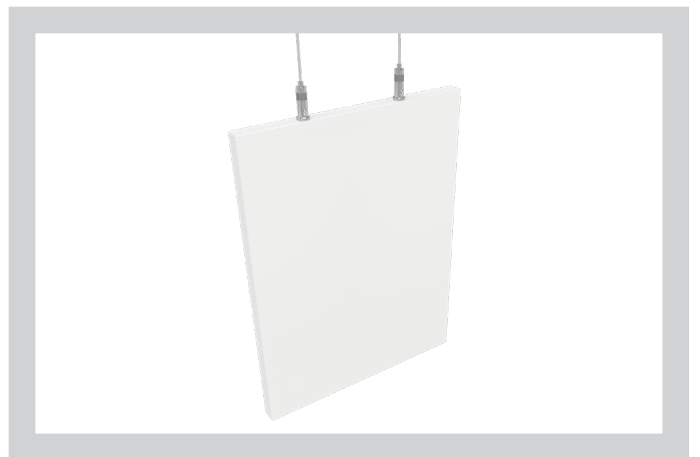
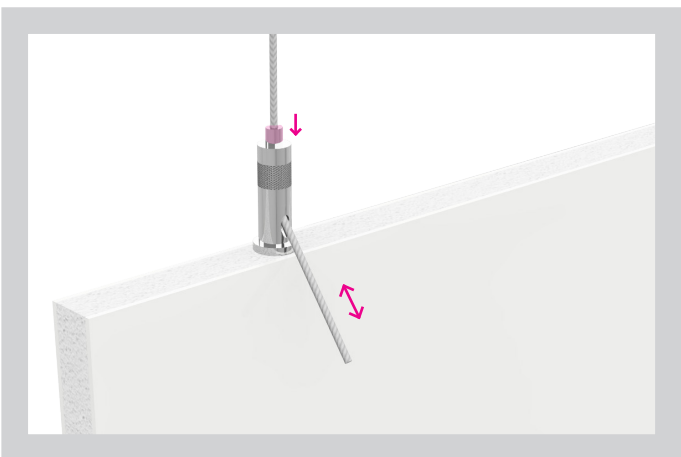
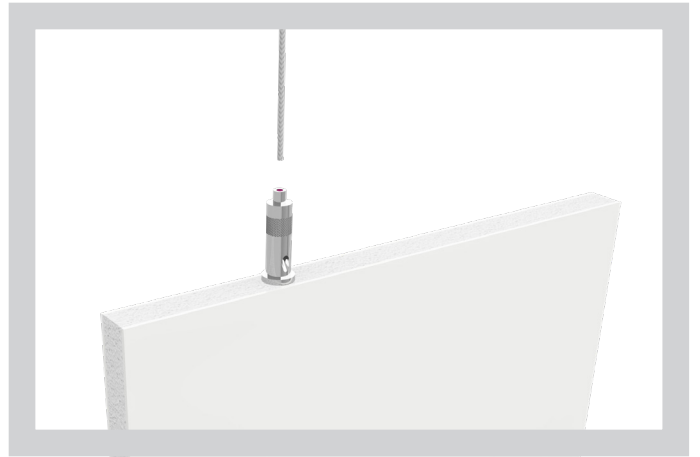
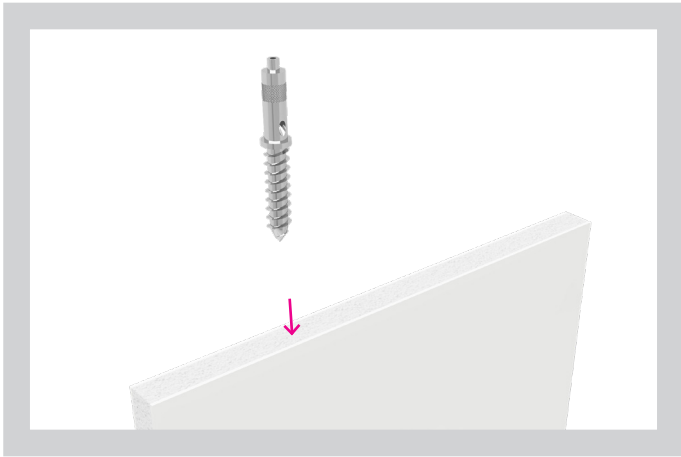
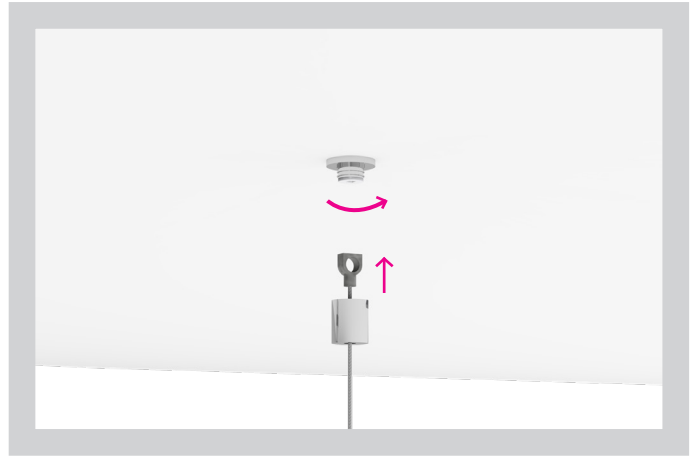
Note:

Taking into account the recommended weight specifications, 6kg/m² per suspension point in combination with the Stadur screw with special thread, generally at least 2 screws per panel should be used for a stable and risk-free suspension. For panels longer than 2 meters, 3-4 screws are recommended. Use without guarantee.



Assembly Instructions

MOUNTING SYSTEMS: BASIC+



Product Information

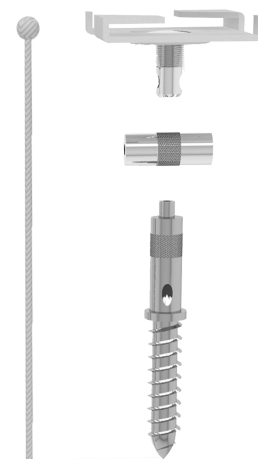
MOUNTING SYSTEMS: CLIP

100%
PVC-free

Description:

The Stadur suspension system MOUNTING SYSTEMS: CLIP is an excellent **fastening solution** which allows Stadur lightweight foam boards VISCOM, from a thickness of 10 mm, to be directly **attached to a suspended ceiling system (e.g. Odenwald ceiling)** on a steel cable basis.

The **screw with special thread** developed for this purpose can be **easily screwed** into the Stadur foam board **by hand** and the panels can be suspended without risk.



Properties:

The MOUNTING SYSTEMS: CLIP set consists of suspended ceiling clip and rope fastening elements with a 1.5 m galvanized steel cable and the Stadur screw with special thread.

Set-Contents:

- 1 mounting clip CLIP for mounting rail 24mm, painted white, with threaded bolt M6 with cross hole, surface: nickel glossy
- 1 wire fixing element cylinder with knurl RGE 0.5, length: 15 mm, surface: nickel glossy
- 1 rope: Ø 1.2 mm, 7x7 galvanized steel, nominal strength: 2,400 N/mm², length: 1,500 mm, with 1 SBE ball Ø: 4 mm
- 1 Stadur screw with lateral rope rejection with knurl and special thread for Stadur core material, surface: nickel glossy

Advantages at a Glance:

- Direct and easy attachment to all suspended ceiling/grid ceiling systems (e.g. OWA).
- Click one CLIP into the grid rail per suspension point.
- Suitable for panels from 10 mm thickness.
- Up to 6 kg/m² panel weight per suspension point can be used without risk.
- Tightening of the Stadur screw is very easy by hand due to the special thread.
- Increased safety standards due to TÜV-certified wire rope holders, according to the requirements of the German Product Safety Act.
- CE declaration of performance for OWA grid ceilings..
- Tool-free and quick assembly or disassembly.
- High-quality material and attractive design - Made in Germany..

Areas of Application:

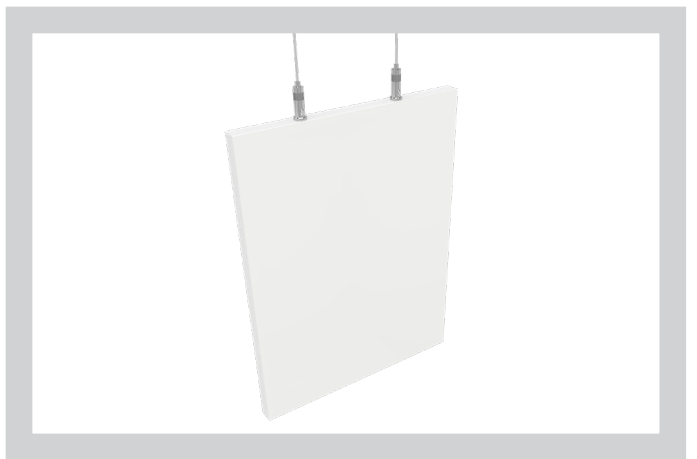
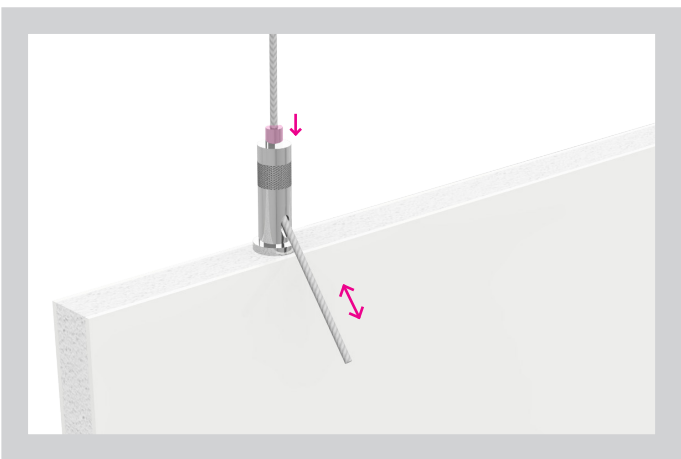
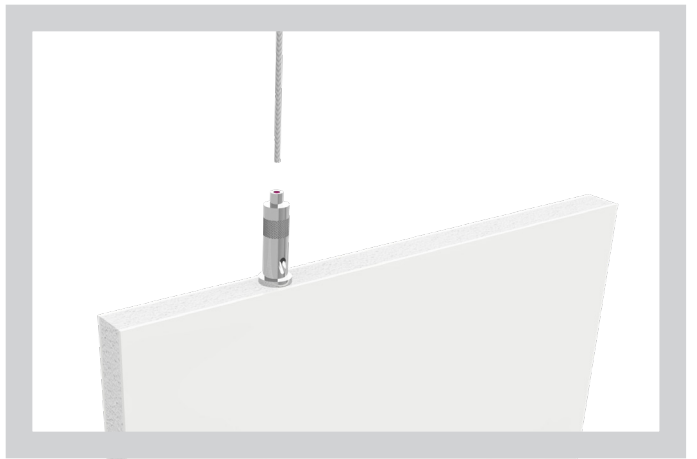
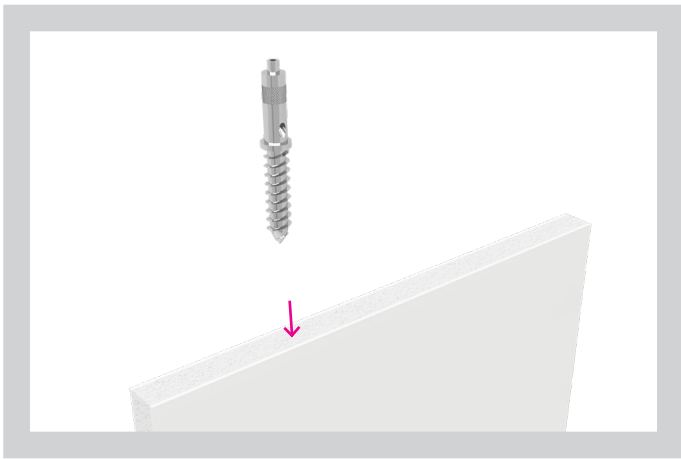
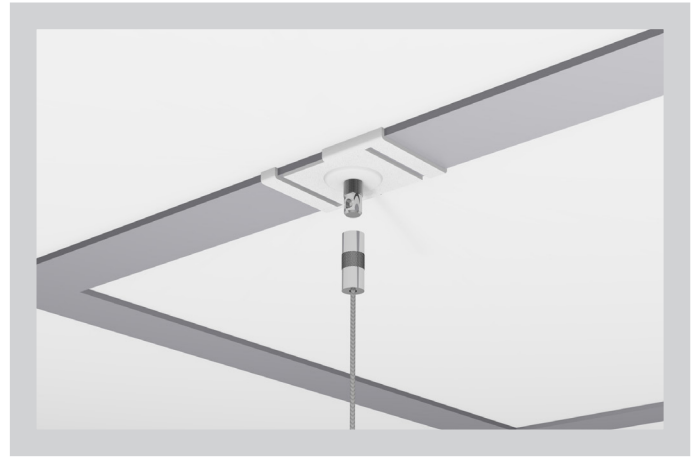
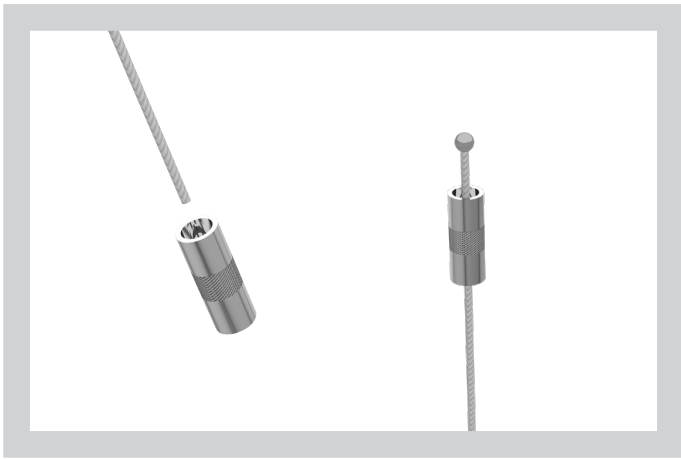
PoS/PoP, signs, display, trade fair construction, shopfitting, store design, event marketing, promotions

Note:

Taking into account the recommended weight specifications, 6kg/m² per suspension point in combination with the Stadur screw with special thread, generally at least 2 screws per panel should be used for a stable and risk-free suspension. For panels longer than 2 meters, 3-4 screws are recommended. Use without guarantee.

Assembly Instructions

MOUNTING SYSTEMS: CLIP



Product Information

MOUNTING SYSTEMS: HOOK

100%
PVC-free

Description:

The Stadur MOUNTING SYSTEMS: HOOK screw is a very simple connection option for suspending Stadur VISCOM lightweight foam boards, from a thickness of 10 mm, from ceilings where fastening solutions or suspensions of any kind are already available. For this purpose we developed the HOOK screw with special thread, which can be easily screwed into the Stadur foam board by hand and suspended without risk.



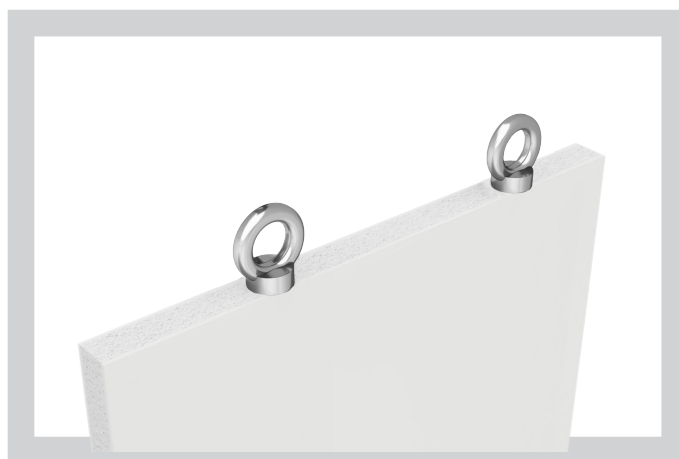
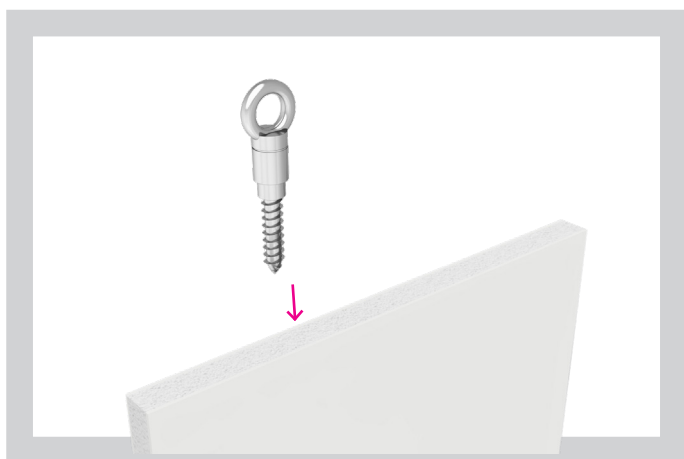
Bag-Contents:

- 10 screws MOUNTING SYSTEMS: HOOK

Advantages at a Glance:

- Firm screwing in of the Stadur screw possible very easily by hand due to the special thread.
- Suitable for panels from 10 mm thickness.
- Uncomplicated connection options for various ceiling suspensions.
- Attach to existing hooks or carabiners.
- Suspend with existing ropes or nylon cords.
- Very simple and quick assembly and disassembly.

Assembly:



Note:

Taking into account the recommended weight specifications, 6kg/m² per suspension point in combination with the Stadur screw with special thread, generally at least 2 screws per panel should be used for a stable and risk-free suspension. For panels longer than 2 meters, 3-4 screws are recommended. Use without guarantee.